

RACK ACCESSORIES

# AXIAL FAN COOLER

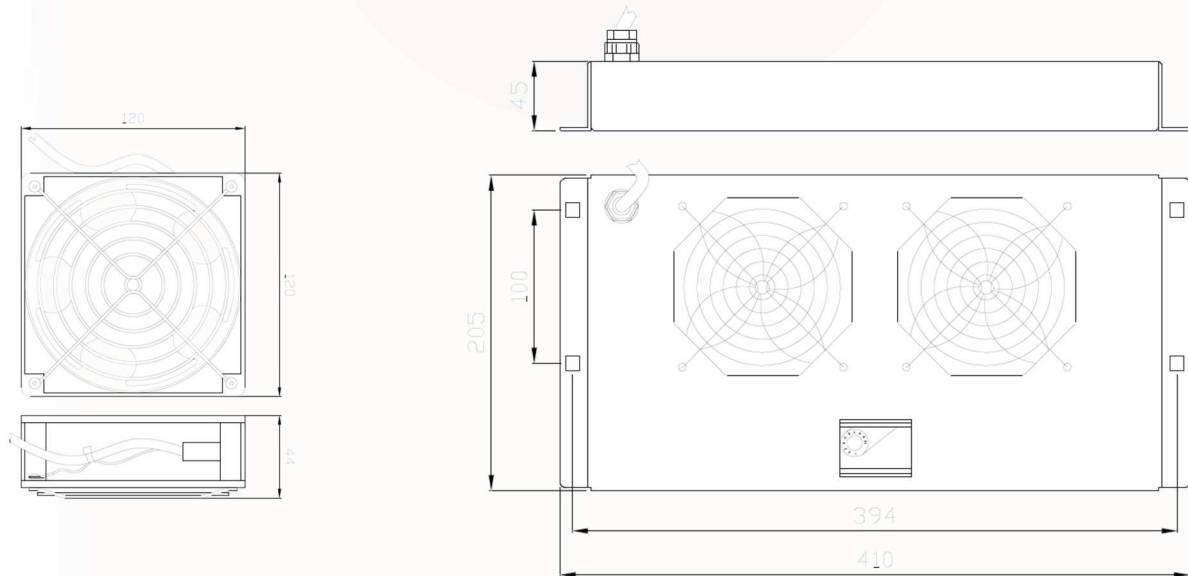


## Description

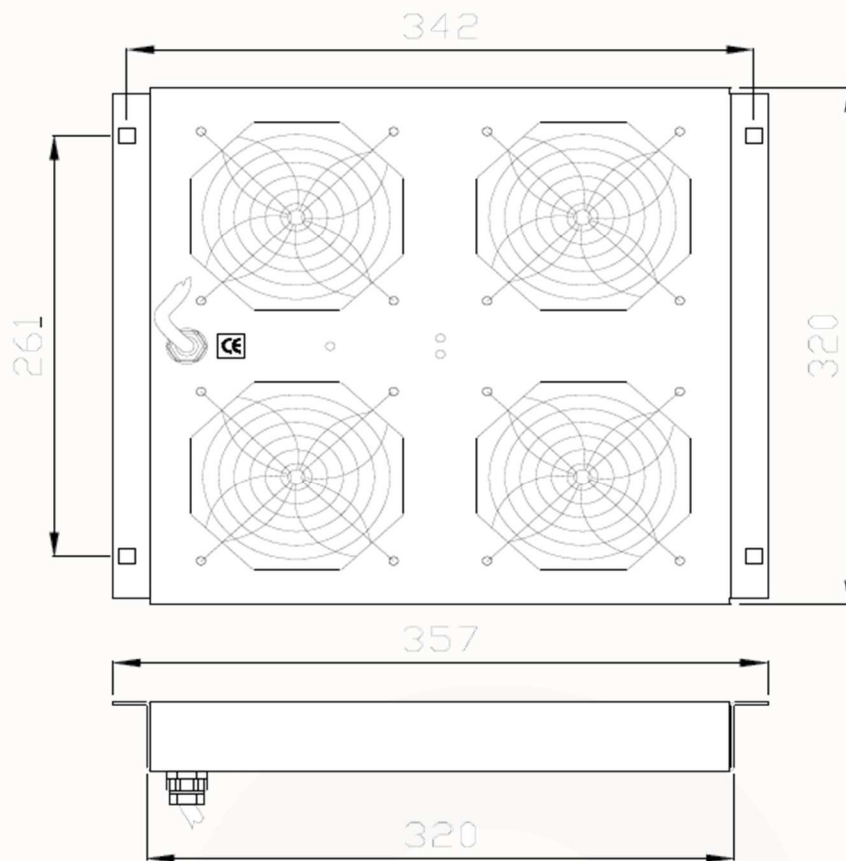
Contributes to cooling and air exchange inside the rack cabinet, prevents overheating of the active devices installed.

### General feature:

Physical (one axial fan)	Case and impeller realized in black fibreglass reinforced plastic, self-extinguishing UL 94V-0
	Brushless external rotor motor type with auto-restart
	Operating voltage 220V c.a. $\pm 10\%$
	Frequency 50-60 Hz
	Capacity 150 mc/h (for each fan)
	Noise level 43 db/A
Thermostat	Thermal range regulation from -10 to 80 °C
	Protection grade IP20
	Operating voltage 220V c.a. $\pm 10\%$
	Frequency 50-60 Hz
	Power cable 3x1mmq 2,5m lenght



Specifications subject to change without prior notice - For more details please visit [www.orca.it](http://www.orca.it)



**Ordering Information code:**

OC-RAC-550100-00N	ORCA - Single Axial fan cooler for rack, roof mount, with protection grid
OC-RAC-550100-00NT	ORCA - Single Axial fan cooler for rack, roof mount, with protection grid and thermostat
OC-RAC-550100-02N	ORCA - Group of 2 Axial fan cooler for rack, roof mount, with protection grid
	ORCA - Group of 2 Axial fan cooler for rack, roof mount, with protection grid and thermostat
OC-RAC-550100-04N	ORCA - Group of 4 Axial fan cooler for rack, roof mount, with protection grid
OC-RAC-550100-04NT	ORCA - Group of 4 Axial fan cooler for rack, roof mount, with protection grid and thermostat