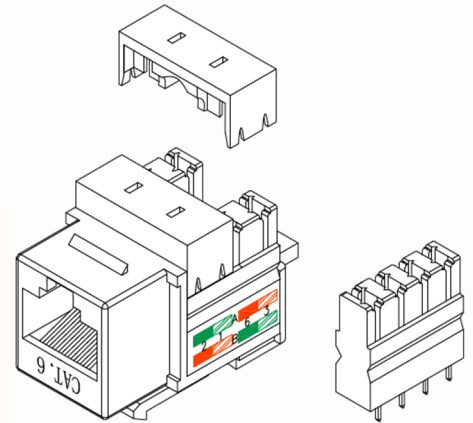


COPPER KEYSTONE CAT. 6

# COPPER KEYSTONE RJ45 CAT. 6 UTP – PUNCH 110



## Description

ORCA Description

### Material Specification:

RJ45 Keystone Jack:	Housing	PC
	Contact Bracket	PBT
	Shield (*)	-
RJ45 Keystone Jack:	Contact Material	Phosphor Bronze stamp PIN T=0.35 mm
	Contact Finish	-
IDC:	Housing	-
	Contact	Phosphor Bronze stamp PIN T=50-80u Nickel Plating
	Type	110
	AWG range:	22-26 solid wire
IDC CAP:	Material	-
PCB:	Material	FR4 THICKNESS 1.6 mm

### Performance:

Insertion force	-
Retention strength	-
Dielectrics strength	750 Vac RMS 60Hz, 1 min
Insulation resistance	1000 MΩ Min.
Contact resistance	100 mΩ Max. @500 Vdc
Voltage rating:	125 VAC RMS
Current rating	1.5 A
Life (mating cycles)	-

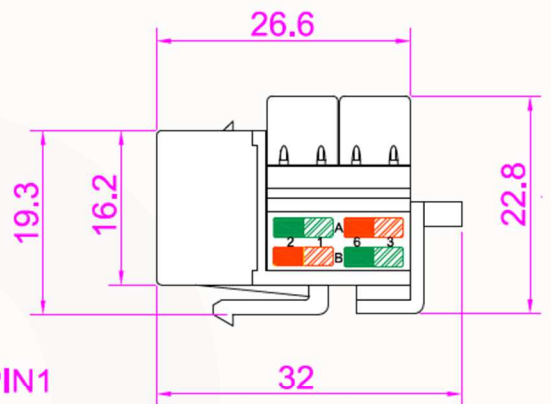
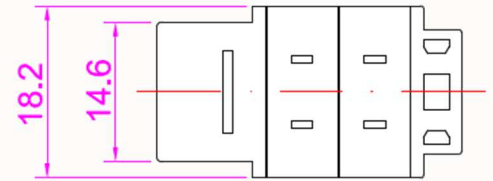
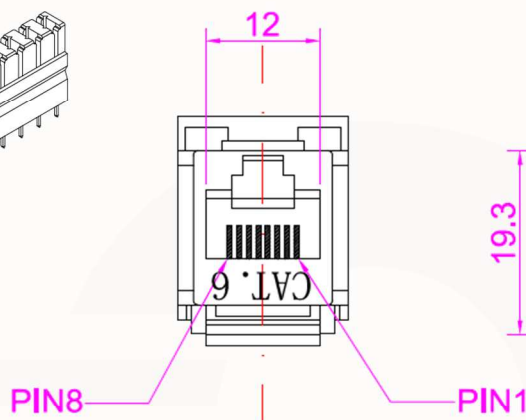
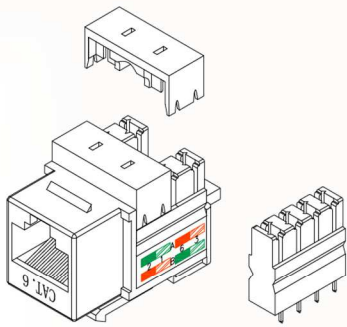
Specifications subject to change without prior notice - For more details please visit [www.orca.it](http://www.orca.it)

**Enviromental:**

Operating Temp.	From 0 to 70°C conform to TIA/EIA 568 BC.2
Stock Temp.	From -40 to 85°C

**Compliance:**

Trasmission performance compliance	Cat. 6 UTP
Wiring Printing	T568A & T568B wiring Printing on IDC cap.
Other:	IDC type terminations with built-in strain relief system



**Ordering Information code:**

OC-MJ6-233120-00	ORCA - KEYSTONE JACK RJ45 CAT 6 UTP - WHITE
OC-MJ6-233130-00	ORCA - KEYSTONE JACK RJ45 CAT 6 UTP - BLACK

Specifications subject to change without prior notice - For more details please visit [www.orca.it](http://www.orca.it)