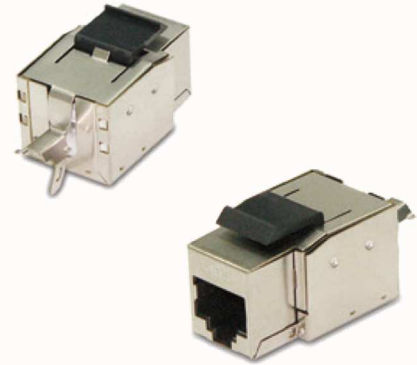


COPPER CAT. 6

COPPER KEYSTONE CAT. 6 FTP - TOOLLESS



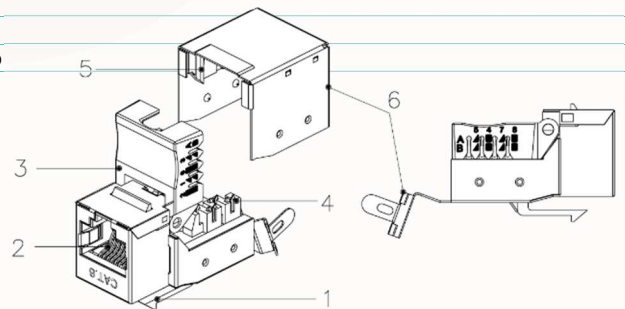
Description

The ORCA Category 6 System complies with all of the performance requirements for current and proposed applications such as Gigabit Ethernet, 10/100/1000 BASETx, 4/16 Mbps Token Ring, 155 Mbps ATM, 100 Mbps TPPMD, ISDN, analog (broadband, baseband) and digital video and analog and digital (VoIP) voice



Material Specification:

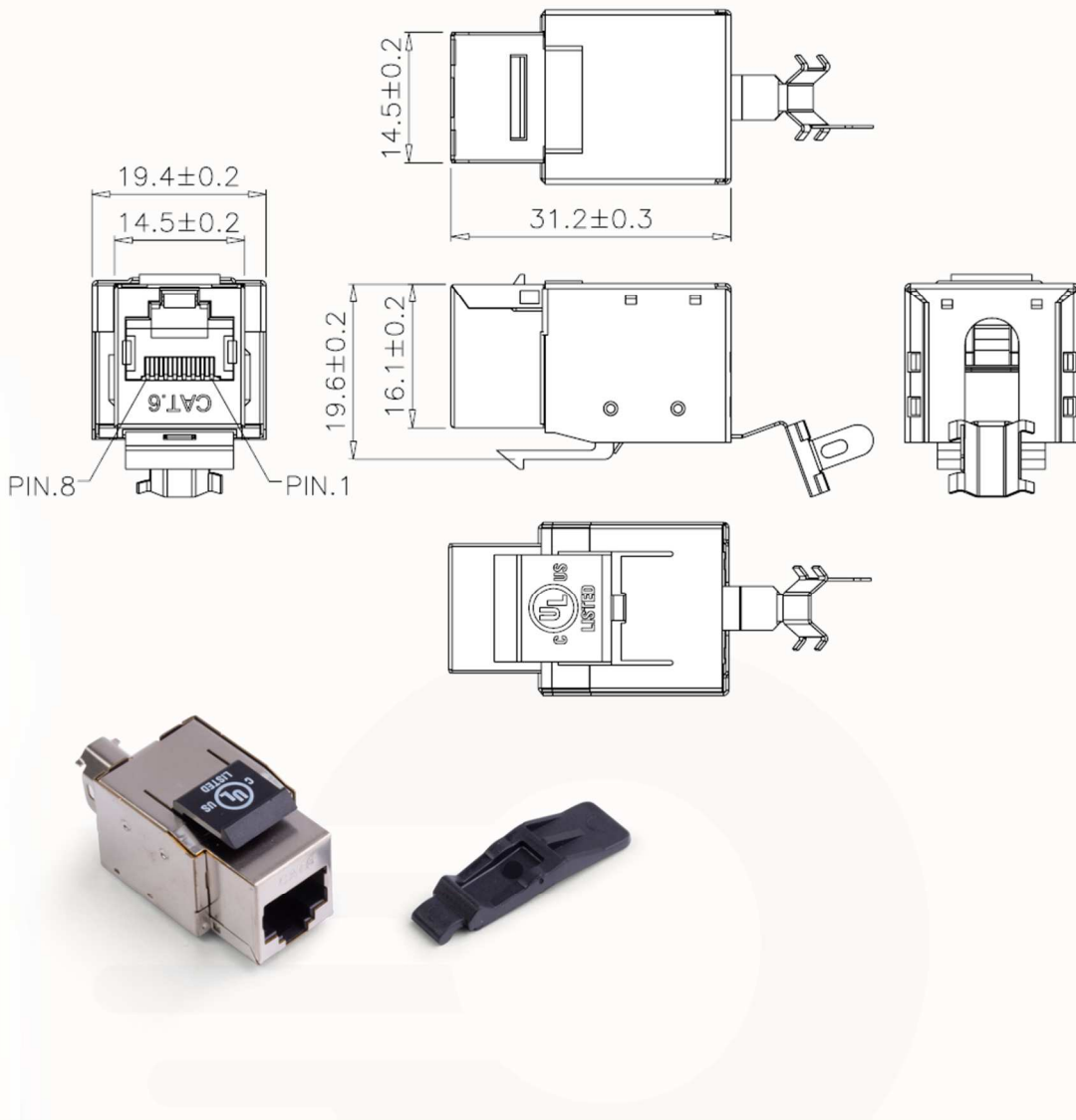
RJ45 Keystone Jack:	Housing	Housing: ABS, UL 94V-0, with black color
	Contact Bracket	Contact Bracket: PBT+Glass Fiber, UL 94V-0
RJ45 Keystone Jack:	Contact Material	Phosphor Bronze with Nichel Plated
	Contact Finish	Finish 50 micro-inch Gold plated on plug contact area
	Housing	Housing: PC+Glass Fiber, UL 94V-2
	Contact	Phosphor Bronze with Nickel plated
IDC:	Shield	Bronze, Nickel plated
	Insulation cover	ABS, UL 94-HB
	Type	110 - toolless
	AWG range:	23-24 stranded and solid wire
IDC CAP:	Material	-
PCB:	Material	FR4, UL 94V-0



Performance:

Insertion force	30 N max. (IEC 60603-7-5)
Retention strength	Retention strength 7,7 Kg between Jack and Plug
Dielectrics strength	1000 V RMS at 60Hz for 1 minute
Insulation resistance	500 mΩ minimum
Contact resistance	2 mΩ per contact
Voltage rating:	-
Current reating	-
Life (mating cycles)	Jack: 750 min. (ISO/IEC 11801, IEC 60603-7-5) IDC: -

Specifications subject to change without prior notice - For more details please visit www.orca.it



Enviromental:

Operating Temp. from -10 to 60°C (ISO/IEC 11801, ANSI/TIA/EIA 568 B.2)

Stock Temp. -

Compliance and note:

Trasmission performance comp. Cat. 6 with the ANSI/TIA/EIA 568 B.2-1 standard

Wiring Printing T568A & T568B wiring Printing on IDC cap.

Other: IDC type terminations with built-in strain relief metal cap

Ordering Information code:

OC-MJ6-235220-00 ORCA - INSERT RJ45 CAT 6 FTP - TOOLLESS - METAL/BLACK