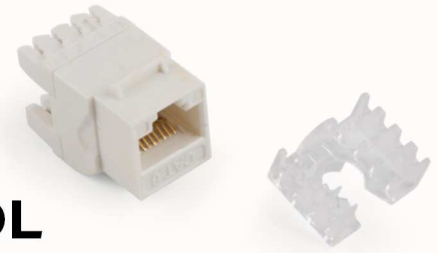


COPPER SYSTEM

# COPPER KEYSTONE RJ45 CAT. 6 UTP – 180° - 110/ONETOOL



## Description

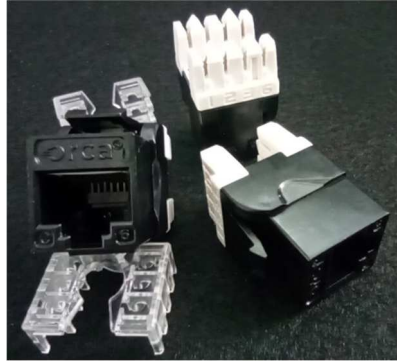
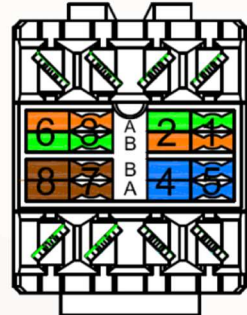
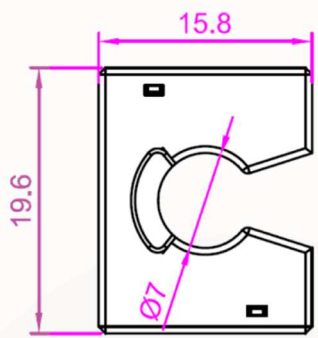
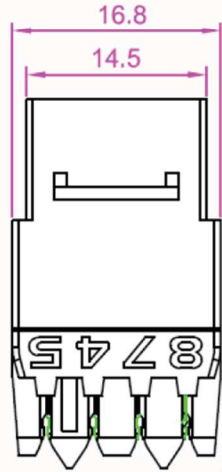
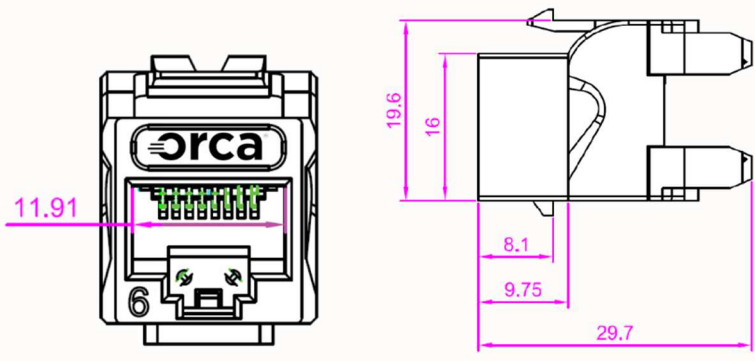
ORCA® Category 6 Series jacks exceed TIA/EIA-568-B requirements for Category 6 component performance. The ORCA Category 6 System complies with all of the performance requirements for current and proposed applications such as Gigabit Ethernet, 10/100/1000 BASETx, 4/16 Mbps Token Ring, 155 Mbps ATM, 100 Mbps TPPMD, ISDN, analogue (broadband, baseband) and digital video and analogue and digital (VoIP) voice. Universal wiring labels permit termination to either T568A or T568B wiring patterns.

Unshielded Modular jacks are un-keyed, 4-pair and meet the Category 6 performance requirements. Modular jacks shall be terminated using 110-style 180° pc board connectors, or a dedicated one-tool for termination and cutting in one shot. Each jack shall be provided with a bend limiting strain relief.

### Feature:

Insert material: PC	Housing material: PC
Contact material: phosphorous bronze	PCB material: FR-4
IDC contacts material: phosphorous bronze	110 tool or one-tool compatible
Modular Jack: ≥ 750 Mating cycles	IDC 110 Block: 200 Termination cycles
Retention force 50N 60±5s	Wire: 22-24 AWG
Contact Force 100 grams with FCC compliant SP PLUG	
Current rating: 1.5A	Voltage rating: 125VAC
Insulation resistance: ≥ 1000 MΩ min@500Vdc	Contact resistance: ≤100 mΩ max
Contact resistance: 20 MΩ	DIELECTRIC STRENGTH 750 VAC RMS 60Hz, 1min
CONFORM TO TIA/EIA 568B CATEGORY C6	
MATES WITH MODULAR PLUG CONFORMING TO FCC PART 68, SUBPART F - MECHANICAL	
Working temperature : -10 °C ~ 60 °C	Storage temperature: - 40 °C ~ 60 °C
ISO/IEC 11801: 2002/ Amd. 2: 2010	RoHS Directive 2011/65/EU compliant

Specifications subject to change without prior notice - For more details please visit [www.orca.it](http://www.orca.it)



Ordering Information code:	
<b>Keystone:</b>	
OC-MJ6-233120-18	ORCA - Keystone Jack Cat 6 UTP Onetool/dual 180°, Slim - White
OC-MJ6-233130-18	ORCA - Keystone Jack Cat 6 UTP Onetool/dual 180°, Slim - Black
<b>Patch Panel:</b>	
OC-PP6-570125-24	ORCA - Patch panel 24 ports, unload, UTP/FTP Cat. 6/6A with removable cable management, cable clips.
<b>One Tool:</b>	
OC-TL-269000-08	ORCA - Fast Onetool keystone insertion and cutting, 180°

